

Catalogue & Data Sheets

Q3 | 2015

Patch neat. Patch fast. PATCHBOX®.





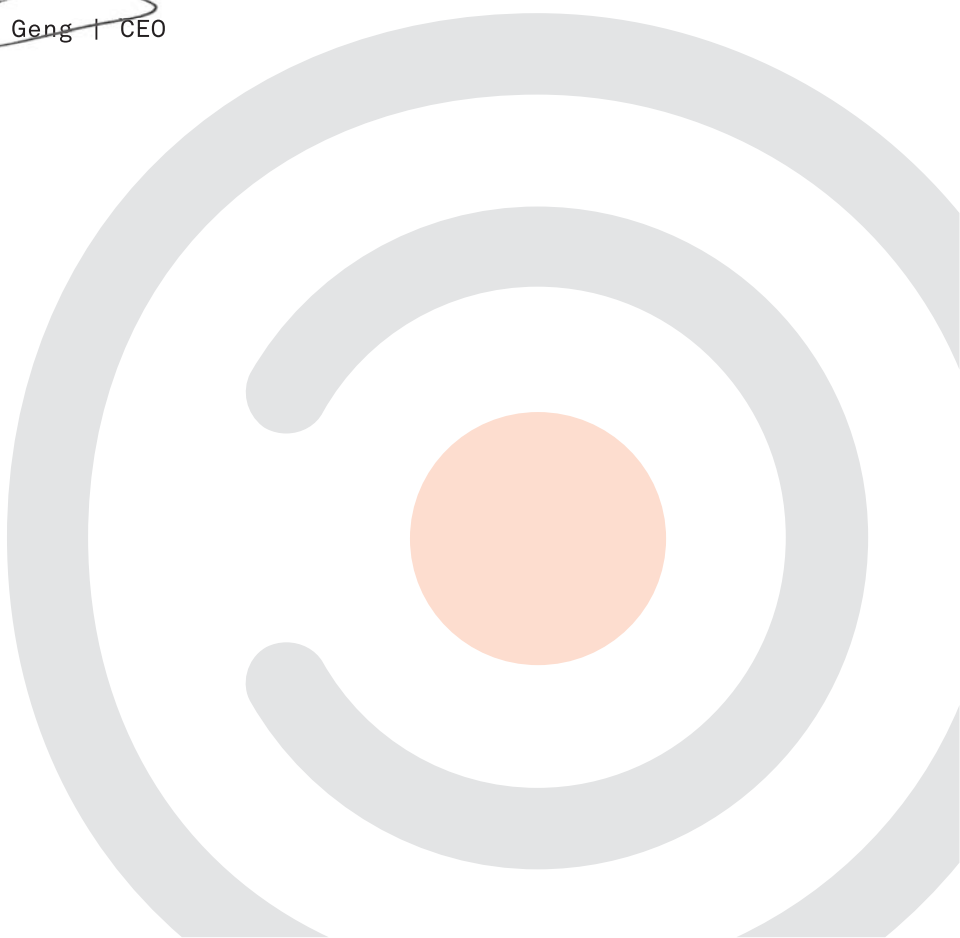
Dear Customer,

„After nearly two years of research and development I am proud to present you our first catalogue and in it the new standard in cable management – THE PATCHBOX®.

To ensure you the highest quality for your most valuable network, we solely work together with the worlds leading cable producers, now and in the future.“

Patch neat. Patch fast. PATCHBOX®.


Alexander Geng | CEO



PATCHBOX® GmbH
Catalogue & Data Sheets

**PATCHBOX® introduces
The Next Generation Cable Management.**

A metal outer case ensures high durability, combined with changeable cassettes and best quality cables for faster cabling in high performance networks.

We only work with the worlds leading fiber optic producers for highest standards!

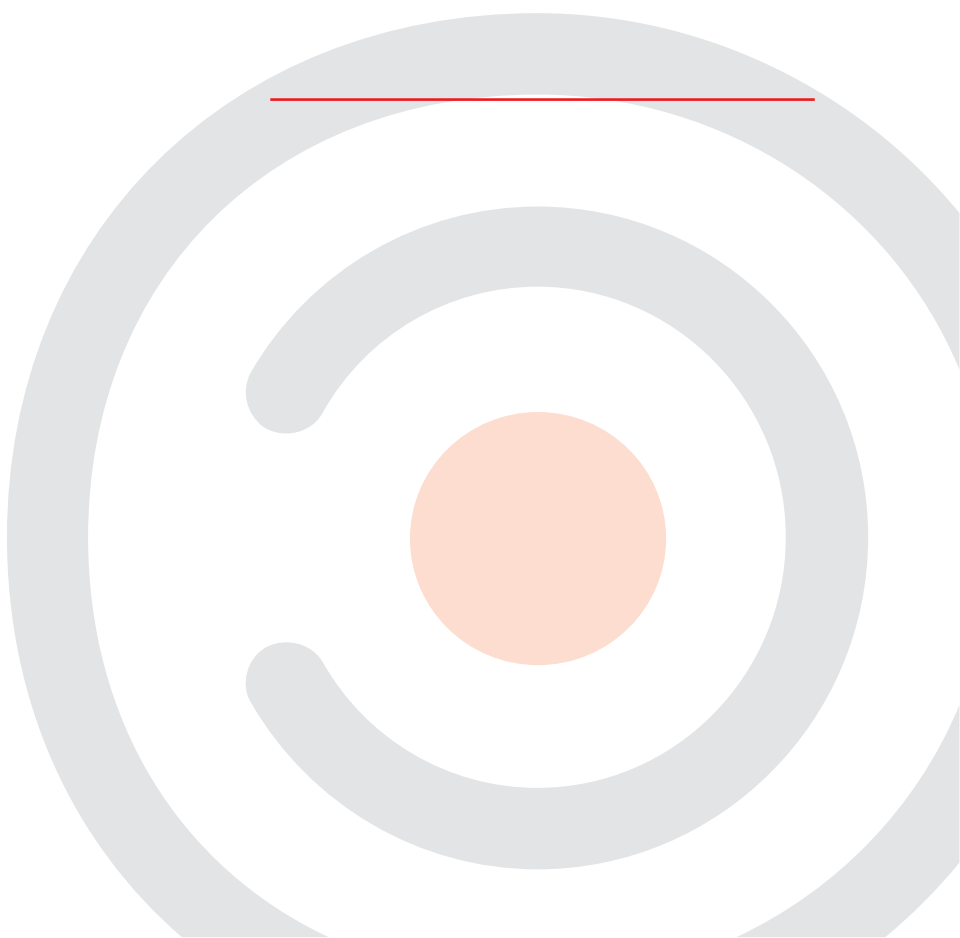
Q3 | 2015

Patch neat. Patch fast. PATCHBOX®.



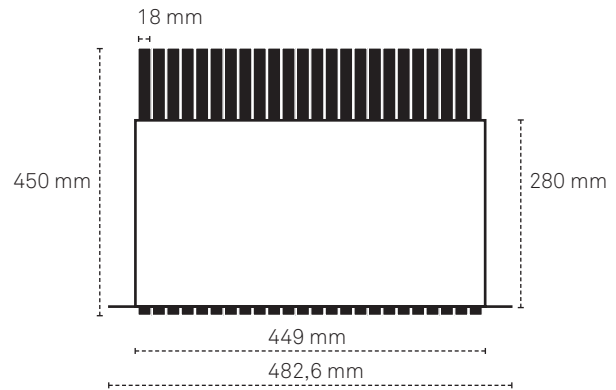
Content
Data Sheet Catalogue Q3|2015

Copper STP	S. 05	P45STPXC6XX24K C45STPXC6XXX1K	Copper Cat.6
UTP	S. 07	P45UTPXC6XX24K C45UTPXC6XXX1K	
AT&T	S. 09	P45MMAOM3LC24A C45MMAOM3LCX1A	Multi Mode OM3
	S. 11	P45MMAOM4LC24E C45MMAOM4LCX1E	Multi Mode OM4
	S. 13	P45SMAOS2LC24Y C45SMAOS2LCX1Y	Single Mode OS2
PATCHCATCH	S. 15	PBCX7K	Management



Data sheet:
P45STPXC6XX24K

The **PATCHBOX® 450** is our standard version for reliable copper cabling. A metal outer case ensures high durability, combined with changeable cassettes and best quality cables for faster cabling in high performance networks.



05

Dimensions PATCHBOX®

Depth	: 450 mm
Height	: 43.69 mm (1RU)
Width	: 482.60 mm (19")
Weight	: 6.500 g

Dimensions CASSETTE

Depth	: 450 mm
Height	: 40 mm
Width	: 18 mm
Weight	: 140 g

Dimensions PATCHCATCH

Depth	: 74 mm
Height	: 43.69 mm (1RU)
Width	: 74 mm
Weight	: 40 g

Cable Specifications

Over Mold	: PUR, Black
Connector	: RJ45 Shielded Plug, Pin Gold plated
Cable	: CAT.6 STP
Cable Type	: ISO/IEC 11801:2002, AWG 29, 100% Copper
Standard	: IEEE 802.3: Ethernet 10Base-T; Fast Ethernet 100Base-T; Gigabit Ethernet 1000Base-T; IEEE 802.5; ISDN; FDDI; ATM; Cable Structure: Stranded Copper AWG 29
Cable Length	: 1.6 m
Effective Cable Length	: 1.3 m
Cable Colors	: Black (others on request)
Total Ports	: Fully equipped box - 24 patch cables CAT. 6 STP

Environmental Specifications

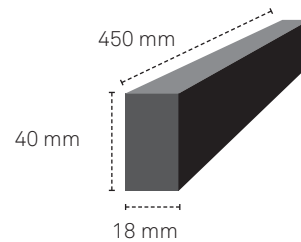
Flammability Rating	: UL 94 1/16"HB
Flammability Classification	: IEC 60695-11-10
Operating Temperature	: -10°C to +60°C
Safety Standard	: LS0H / UL

Mechanical Specifications (Material Type)

Outer Box	: Powder coated steel
Cassettes	: ABS, PA66 (UL certified)
Cables	: LS0H, PUR
PATCHCATCH	: PA66 (UL certified)

Data sheet:
C45STPXC6XXX1K

The **PATCHBOX**[®] 450 CASSETTE is our standard version for reliable copper cabling. The plastic cassette includes a best quality cable for faster cabling in high performance networks.



Dimensions CASSETTE

Depth	: 450 mm
Height	: 40 mm
Width	: 18 mm
Weight	: 140 g

Environmental Specifications

Flammability Rating	: UL 94 1/16"HB
Flammability Classification	: IEC 60695-11-10
Operating Temperature	: -10°C to +60°C
Safety Standard	: LS0H / UL

Mechanical Specifications (Material Type)

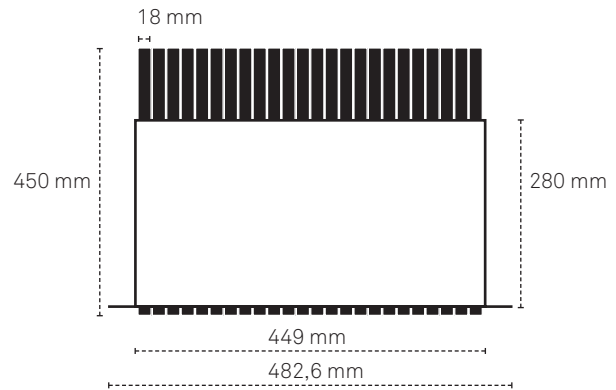
Cassettes	: ABS, PA66 (UL certified)
Cables	: LS0H, PUR

Cable Specifications

Over Mold	: PUR, Black
Connector	: RJ45 Shielded Plug, Pin Gold plated,
Cable	: CAT.6 STP
Cable Type	: ISO/IEC 11801:2002, AWG 29, 100% Copper
Standard	: IEEE 802.3: Ethernet 10Base-T; Fast Ethernet 100Base-T; Gigabit Ethernet 1000Base-T; IEEE 802.5; ISDN; FDDI; ATM; Cable Structure: Stranded Copper AWG 29
Cable Length	: 1.6 m
Effective Cable Length	: 1.3 m
Cable Color	: Black (others on request)
Ports	: 1 patch cable CAT. 6 STP

Data sheet:
P45UTPXC6XX24K

The **PATCHBOX® 450** is our standard version for reliable copper cabling. A metal outer case ensures high durability, combined with changeable cassettes and best quality cables for faster cabling in high performance networks.



Dimensions PATCHBOX®

Depth	: 450 mm
Height	: 43.69 mm (1RU)
Width	: 482.60 mm (19")
Weight	: 6.500 g

Dimensions CASSETTE

Depth	: 450 mm
Height	: 40 mm
Width	: 18 mm
Weight	: 140 g

Dimensions PATCHCATCH

Depth	: 74 mm
Height	: 43.69 mm (1RU)
Width	: 74 mm
Weight	: 40 g

Cable Specifications

Over Mold	: PUR, Black
Connector	: RJ45 Unshielded Plug, Pin Gold plated,
Cable	: CAT.6 UTP
Cable Type	: ISO/IEC 11801:2002, AWG 29, 100% Copper
Standard	: IEEE 802.3: Ethernet 10Base-T; Fast Ethernet 100Base-T; Gigabit Ethernet 1000Base-T; IEEE 802.5; ISDN; FDDI; ATM; Cable Structure: Stranded Copper AWG 29
Cable Length	: 1.6 m
Effective Cable Length	: 1.3 m
Cable Colors	: Black (others on request)
Total Ports	: Fully equipped box - 24 patch cables CAT. 6 UTP

Environmental Specifications

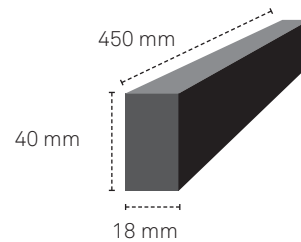
Flammability Rating	: UL 94 1/16"HB
Flammability Classification	: IEC 60695-11-10
Operating Temperature	: -10°C to +60°C
Safety Standard	: LS0H / UL

Mechanical Specifications (Material Type)

Outer Box	: Powder coated steel
Cassettes	: ABS, PA66 (UL certified)
Cables	: LS0H, PUR
PATCHCATCH	: PA66 (UL certified)

Data sheet:
C45UTPXC6XXX1K

The **PATCHBOX**[®] 450 CASSETTE is our standard version for reliable copper cabling. The plastic cassette includes a best quality cable for faster cabling in high performance networks.



Dimensions CASSETTE

Depth	: 450 mm
Height	: 40 mm
Width	: 18 mm
Weight	: 140 g

Environmental Specifications

Flammability Rating	: UL 94 1/16"HB
Flammability Classification	: IEC 60695-11-10
Operating Temperature	: -10°C to +60°C
Safety Standard	: LS0H / UL

Mechanical Specifications (Material Type)

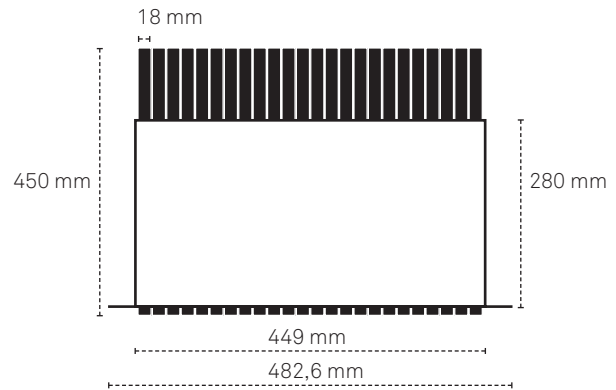
Cassettes	: ABS, PA66 (UL certified)
Cables	: LS0H, PUR

Cable Specifications

Over Mold	: PUR, Black
Connector	: RJ45 Unshielded Plug, Pin Gold plated,
Cable	: CAT.6 UTP
Cable Type	: ISO/IEC 11801:2002, AWG 29, 100% Copper
Standard	: IEEE 802.3: Ethernet 10Base-T; Fast Ethernet 100Base-T; Gigabit Ethernet 1000Base-T; IEEE 802.5; ISDN; FDDI; ATM; Cable Structure: Stranded Copper AWG 29
Cable Length	: 1.6 m
Effective Cable Length	: 1.3 m
Cable Color	: Black (others on request)
Ports	: 1 patch cable CAT. 6 UTP

Data sheet:
P45MMAOM3LC24A | AT&T

The **PATCHBOX® 450** is our standard version for reliable fibre optic cabling. A metal outer case ensures high durability, combined with changeable cassettes and best quality cables for faster cabling in high performance networks.



Dimensions PATCHBOX®

Depth	: 450 mm
Height	: 43.69 mm (1RU)
Width	: 482.60 mm (19")
Weight	: 6.500 g

Dimensions CASSETTE

Depth	: 450 mm
Height	: 40 mm
Width	: 18 mm
Weight	: 140 g

Dimensions PATCHCATCH

Depth	: 74 mm
Height	: 43.69 mm (1RU)
Width	: 74 mm
Weight	: 40 g

AT&T Cable Specifications

Over Mold	: LS0H jacket materials
Connector	: Highly durable Duplex LC
Fibre Class	: OM3 RBS 50µ / 125µ
Standard	: Relevant sections of: ANSI/TIA-568-C.3; ISO/IEC 11801; EN 50173; ANSI/TIA/EIA-604 (FOCIS); IEC 60874; IEC 61753; IEC 61754; IEC 60332-1 flame test; IEC 60754 & IEC 61034 EU; Directive 2011/65/EU (RoHS-2)
Cable Length	: 1.6 m
Effective Cable Length	: 1.3 m
Cable Colors	: Aqua
Total Ports	: Fully equipped box - 24 patch cables Duplex LC Multi Mode OM3

Environmental Specifications

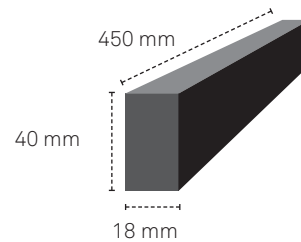
Flammability Rating	: UL 94 1/16"HB
Flammability Classification	: IEC 60695-11-10
Operating Temperature	: -10°C to +60°C
Safety Standard	: LS0H / UL

Mechanical Specifications (Material Type)

Outer Box	: Powder coated steel
Cassettes	: ABS, PA66 (UL certified)
Cables	: LS0H
PATCHCATCH	: PA66 (UL certified)

Data sheet:
C45MMAOM3LCX1A | AT&T

The **PATCHBOX**[®] 450 CASSETTE is our standard version for reliable fiber optic cabling. The plastic cassette includes a best quality cable for faster cabling in high performance networks.



Dimensions CASSETTE

Depth	: 450 mm
Height	: 40 mm
Width	: 18 mm
Weight	: 140 g

Environmental Specifications

Flammability Rating	: UL 94 1/16"HB
Flammability Classification	: IEC 60695-11-10
Operating Temperature	: -10°C to +60°C
Safety Standard	: LS0H / UL

Mechanical Specifications (Material Type)

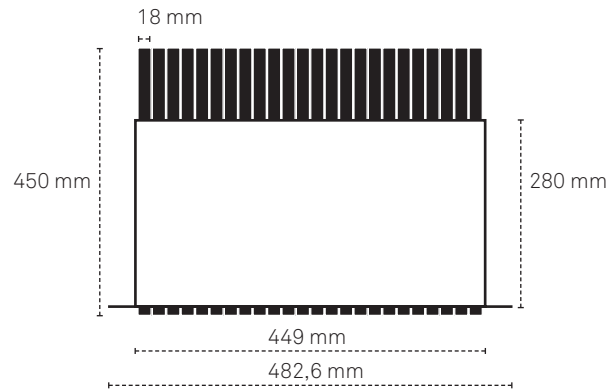
Cassettes	: ABS, PA66 (UL certified)
Cables	: LS0H

AT&T Cable Specifications

Over Mold	: LS0H jacket materials
Connector	: Highly durable Duplex LC
Fibre Class	: OM3 RBS 50µ / 125µ
Standard	: Relevant sections of: ANSI/TIA-568-C.3; ISO/IEC 11801; EN 50173; ANSI/TIA/EIA-604 (FOCIS); IEC 60874; IEC 61753; IEC 61754; IEC 60332-1 flame test; IEC 60754 & IEC 61034 EU; Directive 2011/65/EU (RoHS-2)
Cable Length	: 1.6 m
Effective Cable Length	: 1.3 m
Cable Colors	: Aqua
Port	: 1 patch cable Duplex LC Multi Mode OM3

Data sheet:
P45MMAOM4LC24E | AT&T

The **PATCHBOX® 450** is our standard version for reliable fibre optic cabling. A metal outer case ensures high durability, combined with changeable cassettes and best quality cables for faster cabling in high performance networks.



Dimensions PATCHBOX®

Depth	: 450 mm
Height	: 43.69 mm (1RU)
Width	: 482.60 mm (19")
Weight	: 6.500 g

Dimensions CASSETTE

Depth	: 450 mm
Height	: 40 mm
Width	: 18 mm
Weight	: 140 g

Dimensions PATCHCATCH

Depth	: 74 mm
Height	: 43.69 mm (1RU)
Width	: 74 mm
Weight	: 40 g

AT&T Cable Specifications

Over Mold	: LS0H jacket materials
Connector	: Highly durable Duplex LC
Fibre Class	: OM4 RBS 50µ / 125µ
Standard	: Relevant sections of: ANSI/TIA-568-C.3; ISO/IEC 11801; EN 50173; ANSI/TIA/EIA-604 (FOCIS); IEC 60874; IEC 61753; IEC 61754; IEC 60332-1 flame test; IEC 60754 & IEC 61034 EU; Directive 2011/65/EU (RoHS-2)
Cable Length	: 1.6 m
Effective Cable Length	: 1.3 m
Cable Colors	: Erica Violet
Total Ports	: Fully equipped box - 24 patch cables Duplex LC Multi Mode OM4

Environmental Specifications

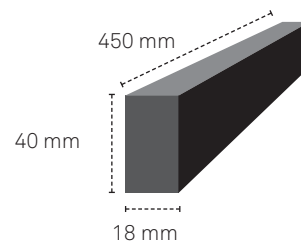
Flammability Rating	: UL 94 1/16"HB
Flammability Classification	: IEC 60695-11-10
Operating Temperature	: -10°C to +60°C
Safety Standard	: LS0H / UL

Mechanical Specifications (Material Type)

Outer Box	: Powder coated steel
Cassettes	: ABS, PA66 (UL certified)
Cables	: LS0H
PATCHCATCH	: PA66 (UL certified)

Data sheet:
C45MMAOM4LCX1E | AT&T

The **PATCHBOX**[®] 450 CASSETTE is our standard version for reliable fiber optic cabling. The plastic cassette includes a best quality cable for faster cabling in high performance networks.



Dimensions CASSETTE

Depth	: 450 mm
Height	: 40 mm
Width	: 18 mm
Weight	: 140 g

Environmental Specifications

Flammability Rating	: UL 94 1/16"HB
Flammability Classification	: IEC 60695-11-10
Operating Temperature	: -10°C to +60°C
Safety Standard	: LS0H / UL

Mechanical Specifications (Material Type)

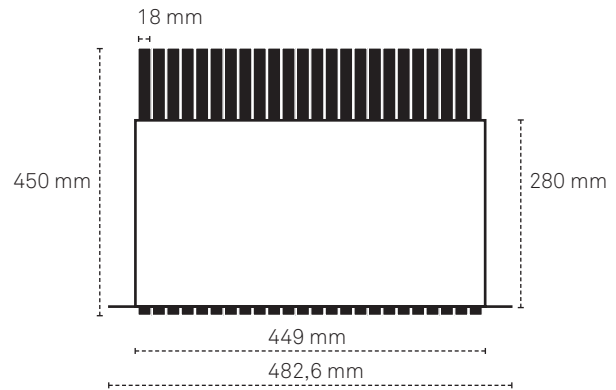
Cassettes	: ABS, PA66 (UL certified)
Cables	: LS0H

AT&T Cable Specifications

Over Mold	: LS0H jacket materials
Connector	: Highly durable Duplex LC
Fibre Class	: OM4 RBS 50µ / 125µ
Standard	: Relevant sections of: ANSI/TIA-568-C.3; ISO/IEC 11801; EN 50173; ANSI/TIA/EIA-604 (FOCIS); IEC 60874; IEC 61753; IEC 61754; IEC 60332-1 flame test; IEC 60754 & IEC 61034 EU; Directive 2011/65/EU (RoHS-2)
Cable Length	: 1.6 m
Effective Cable Length	: 1.3 m
Cable Colors	: Erica Violet
Port	: 1 patch cable Duplex LC Multi Mode OM4

Data sheet:
P45SMAOS2LC24Y | AT&T

The **PATCHBOX® 450** is our standard version for reliable fibre optic cabling. A metal outer case ensures high durability, combined with changeable cassettes and best quality cables for faster cabling in high performance networks.



Dimensions PATCHBOX®

Depth	: 450 mm
Height	: 43.69 mm (1RU)
Width	: 482.60 mm (19")
Weight	: 6.500 g

Dimensions CASSETTE

Depth	: 450 mm
Height	: 40 mm
Width	: 18 mm
Weight	: 140 g

Dimensions PATCHCATCH

Depth	: 74 mm
Height	: 43.69 mm (1RU)
Width	: 74 mm
Weight	: 40 g

AT&T Cable Specifications

Over Mold	: LS0H jacket materials
Connector	: Highly durable Duplex LC IEC 61754-20
Fibre Class	: OS2 RBS 9µ / 125µ 657A2
Standard	: Relevant sections of: ANSI/TIA-568-C.3; ISO/IEC 11801; EN 50173; ANSI/TIA/EIA-604 (FOCIS); IEC 60874; IEC 61753; IEC 61754; IEC 60332-1 flame test; IEC 60754 & IEC 61034; EU Directive 2011/65/EU (RoHS-2)
Cable Length	: 1.6 m
Effective Cable Length	: 1.3 m
Cable Colors	: Yellow
Total Ports	: Fully equipped box - 24 patch cables Duplex LC Single Mode

Environmental Specifications

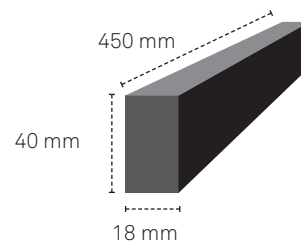
Flammability Rating	: UL 94 1/16"HB
Flammability Classification	: IEC 60695-11-10
Operating Temperature	: -10°C to +60°C
Safety Standard	: LS0H / UL

Mechanical Specifications (Material Type)

Outer Box	: Powder coated steel
Cassettes	: ABS, PA66 (UL certified)
Cables	: LS0H
PATCHCATCH	: PA66 (UL certified)

Data sheet:
C45SMAOS2LCX1Y | AT&T

The **PATCHBOX**[®] 450 CASSETTE is our standard version for reliable fiber optic cabling. The plastic cassette includes a best quality cable for faster cabling in high performance networks.



Dimensions CASSETTE

Depth	: 450 mm
Height	: 40 mm
Width	: 18 mm
Weight	: 140 g

Environmental Specifications

Flammability Rating	: UL 94 1/16"HB
Flammability Classification	: IEC 60695-11-10
Operating Temperature	: -10°C to +60°C
Safety Standard	: LS0H / UL

Mechanical Specifications (Material Type)

Cassettes	: ABS, PA66 (UL certified)
Cables	: LS0H

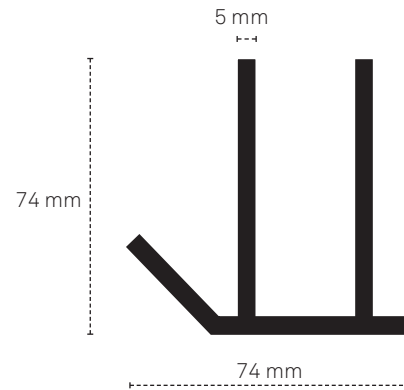
14

AT&T Cable Specifications

Over Mold	: LS0H jacket materials
Connector	: Highly durable Duplex LC IEC 61754-20
Fibre Class	: OS2 RBS 9 μ / 125 μ 657A2
Standard	: Relevant sections of: ANSI/TIA-568-C.3; ISO/IEC 11801; EN 50173; ANSI/TIA/EIA-604 (FOCIS); IEC 60874; IEC 61753; IEC 61754; IEC 60332-1 flame test; IEC 60754 & IEC 61034; EU Directive 2011/65/EU (RoHS-2)
Cable Length	: 1.6 m
Effective Cable Length	: 1.3 m
Cable Colors	: Yellow
Port	: 1 patch cable Duplex LC Single Mode

Data sheet:
PBCX7K | Management

The **PATCHCATCH** is our invention and 50% of the solution for reliable and optimized cable management. This little helper is in the true sense an „out of the box“ solution. Instead of having the management within the rack space, the **PATCHCATCH** lays the certified **PATCHBOX®** cables at the rack's side and out of the main components way.



Dimensions PATCHCATCH

Depth	: 74 mm
Height	: 43.69 mm (1RU)
Width	: 74 mm
Weight	: 40 g

Capacity	Horizontal	Vertical
Copper	24	96
Fibre	48	192

Color

: Black

Environmental Specifications

Flammability Rating	: UL 94 1/16"HB
Flammability Classification	: IEC 60695-11-10
Operating Temperature	: -10°C to +60°C
Safety Standard	: LS0H / UL

Mechanical Specifications (Material Type)

PATCHCATCH	: PA66 (UL certified)
------------	-----------------------



© 2015 | PATCHBOX® GmbH

* All rights reserved *

PATCHBOX GmbH

Phorusgasse 8 | 17
1040 Vienna
Austria

+43 1 99 71 960
www.patchbox.at
office@patchbox.at

Patch neat. Patch fast. PATCHBOX®.



Link zum Installationsvideo mit
verblüffender Zeitersparnis.

CENTROVOX

KABELVERTRIEBS- GESELLSCHAFT M.B.H.

Zentrale:

2100 Leobendorf, Senefelderstr. 1
Tel: 02262 68 333-0
Fax: 02262 68 555

Vertriebsbüro Asten:

4481 Asten, Geranienstr. 1
Tel: 07224 67 581
Fax: 07224 67 582

Vertriebsbüro Graz:

8041 Graz, Zieherstr. 80
Tel: 0316 407 857
Fax: 0316 407 858

Vertriebsbüro Tirol:

6100 Mösern, Dorfstr. 11
Tel: 02262 68 333-80
Fax: 02262 68 555-80

www.centrovox.at

IHR NETZWERKPARTNER

office@centrovox.at